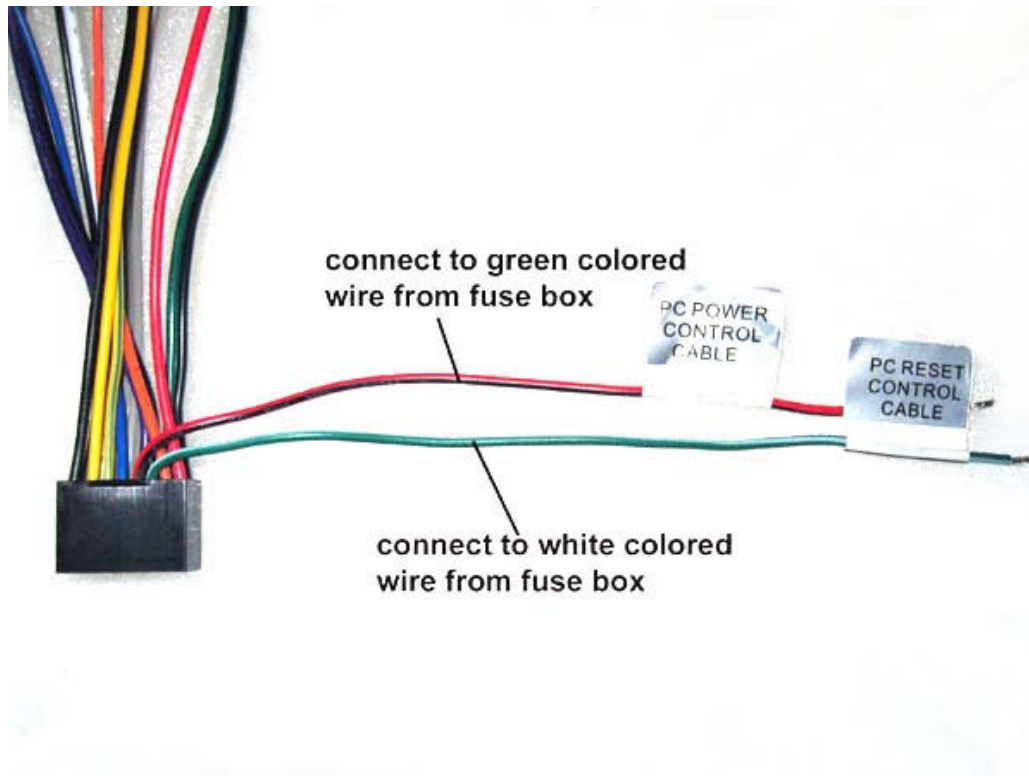
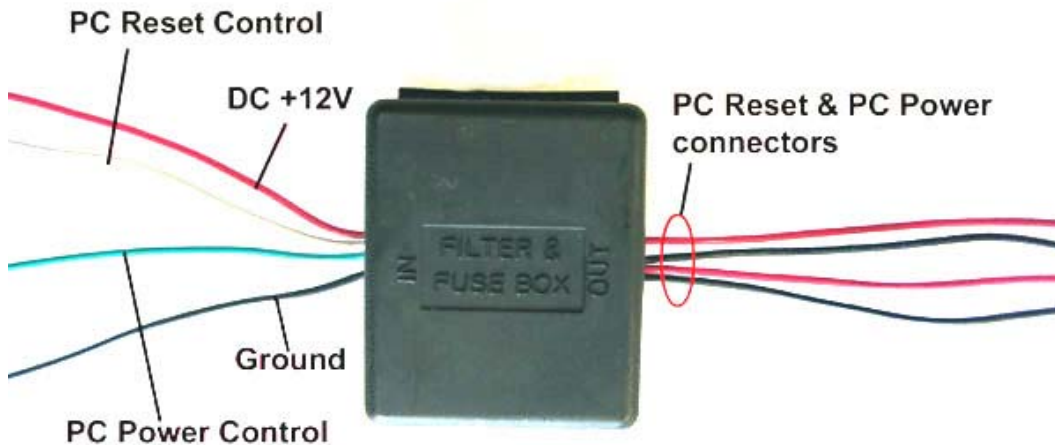


Connection diagram: CID700M + power- and reset function

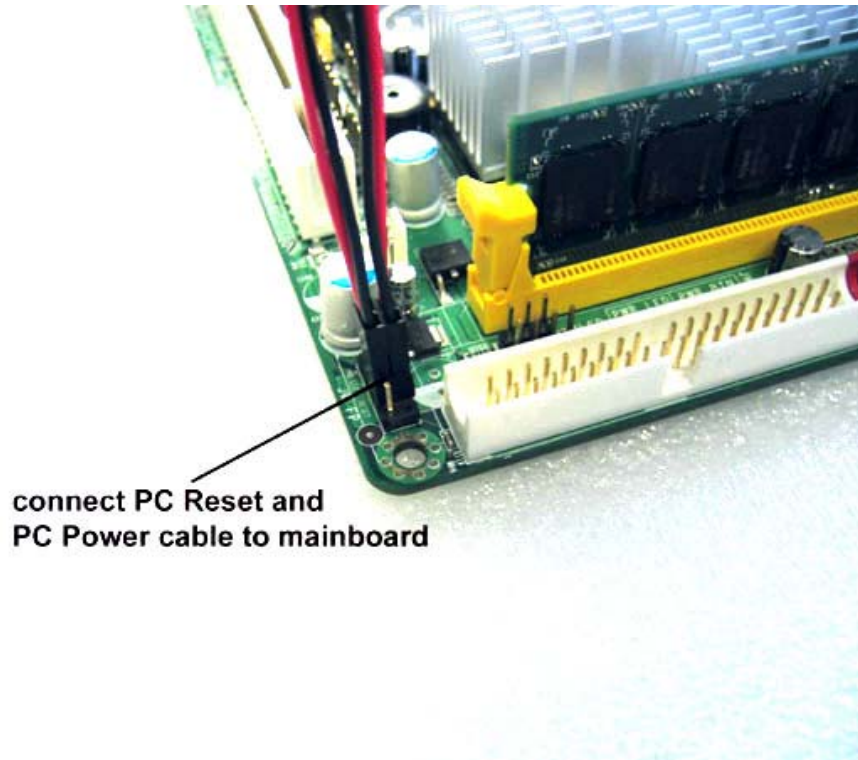
The PC power control cable has to be connected with the green cable of the Filter & Fuse Box and the PC reset cable has to be connected with the white cable of the Filter & Fuse Box.



Here is an overview of the Filter & Fuse Box:



The PC power cable has to be pinned up from the Filter & Fuse Box to the power button pins at the motherboard and the PC reset cable has to be pinned up from the Filter & Fuse Box to the power reset pins at the motherboard:



Last update: 2008-03-10