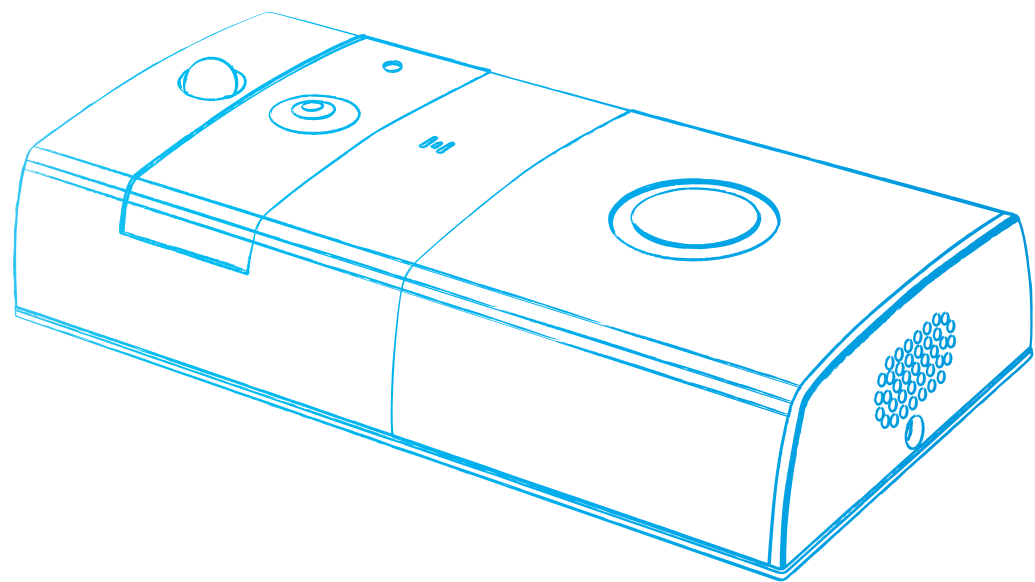


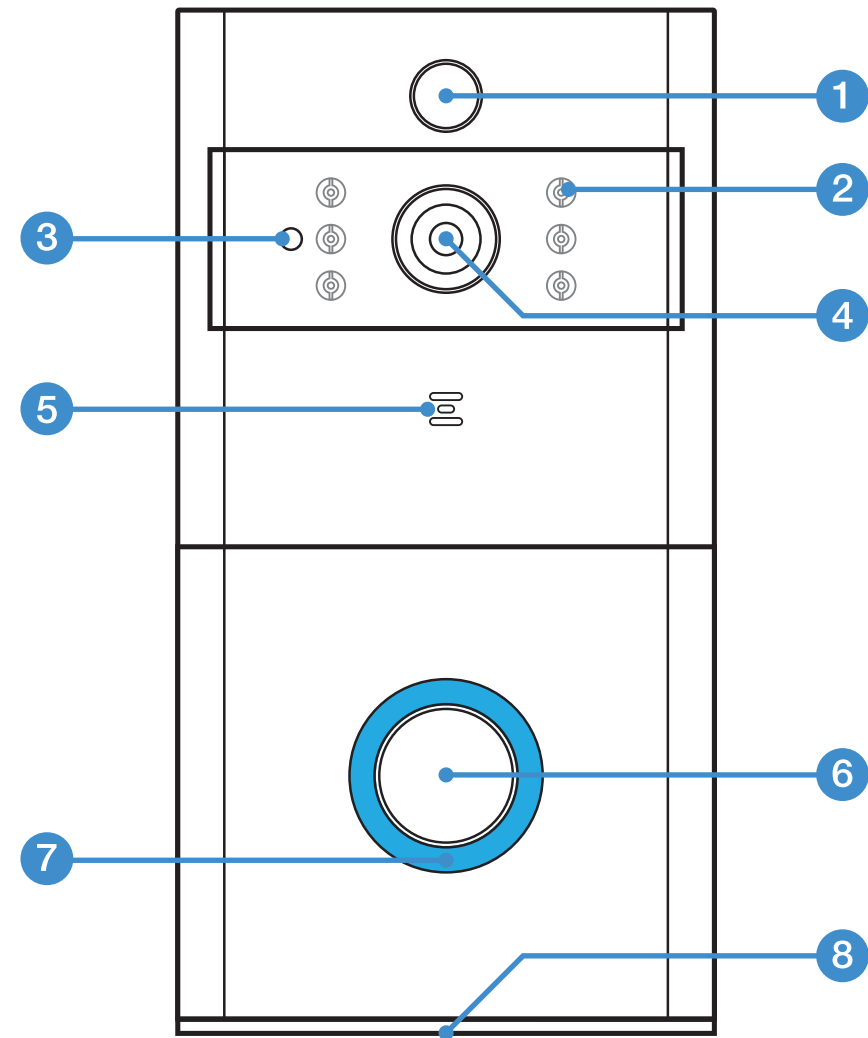
# Smart

VIDEO DOORBELL



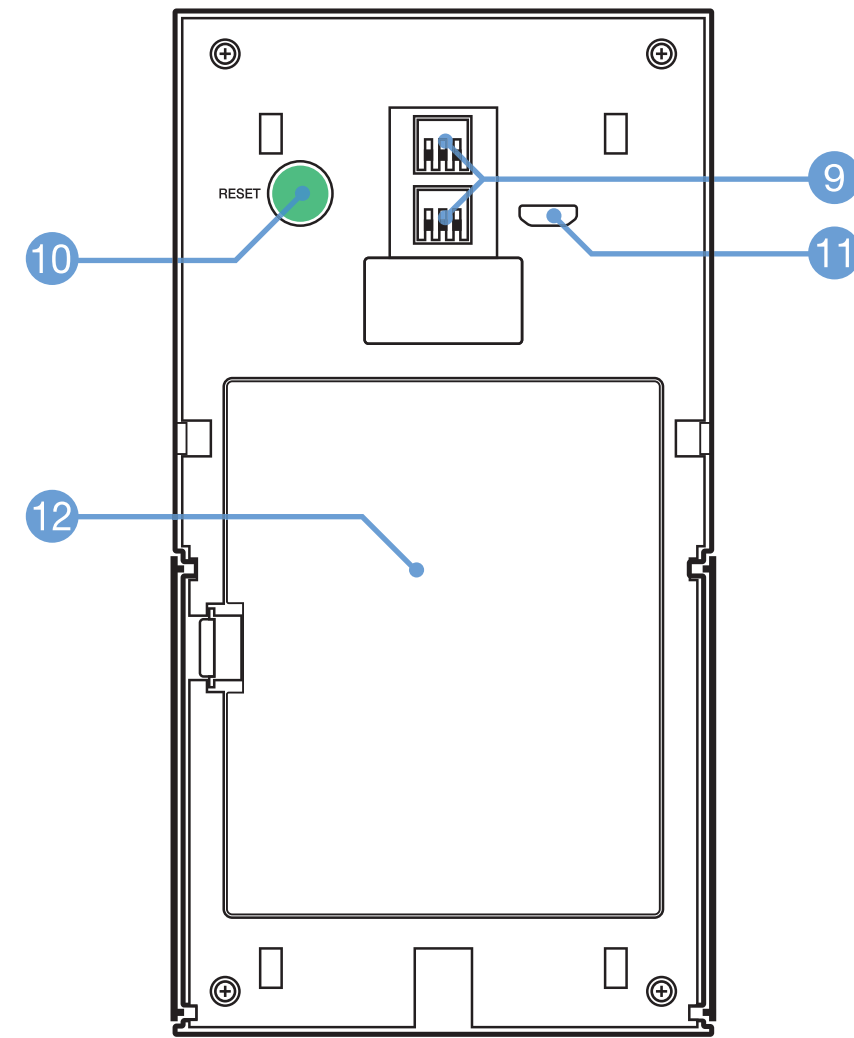
## Quick Start Guide

2  
• Product Drawing - Front



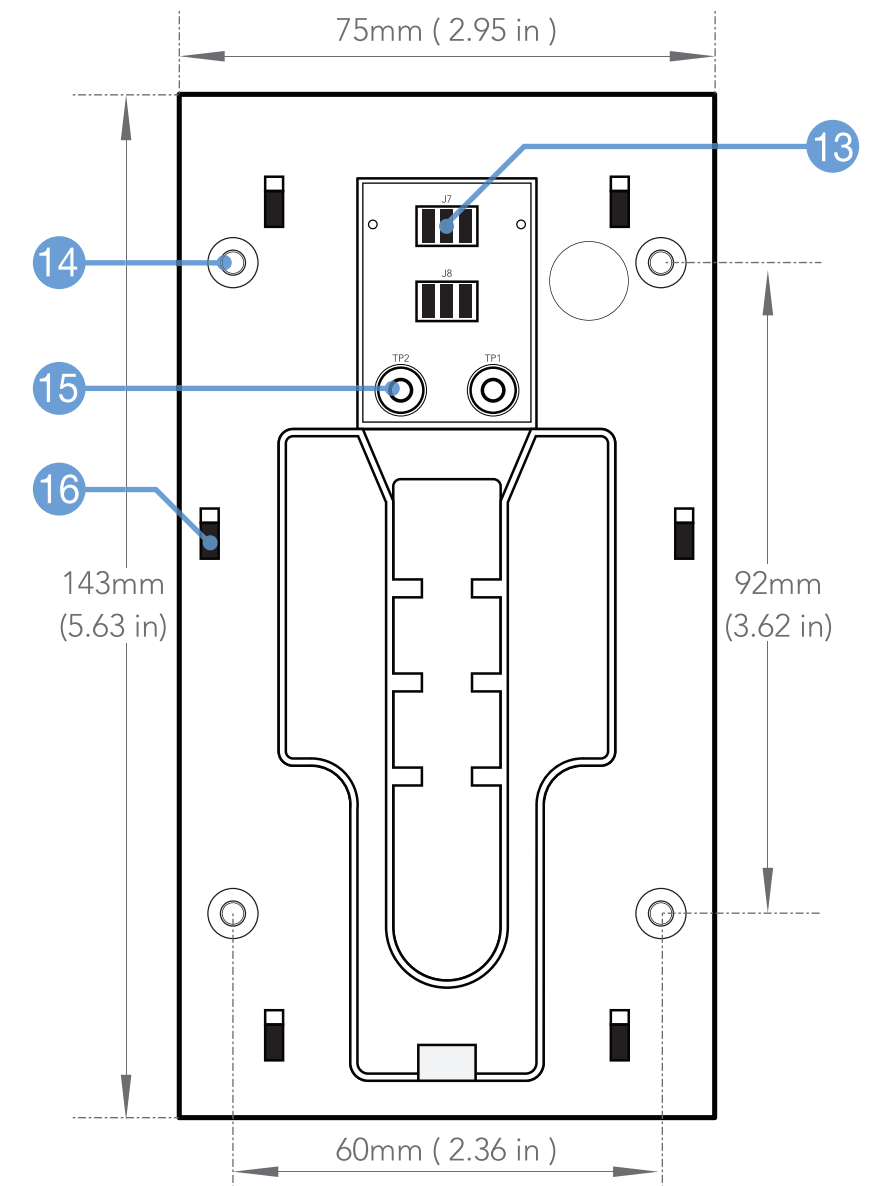
- 1. PIR Motion Sensor
- 2. Infrared LED × 6
- 3. Light Sensor
- 4. 166° HD Camera
- 5. Microphone
- 6. Push Button
- 7. LED Indicator
- 8. Speakers

3  
• Product Drawing - Back



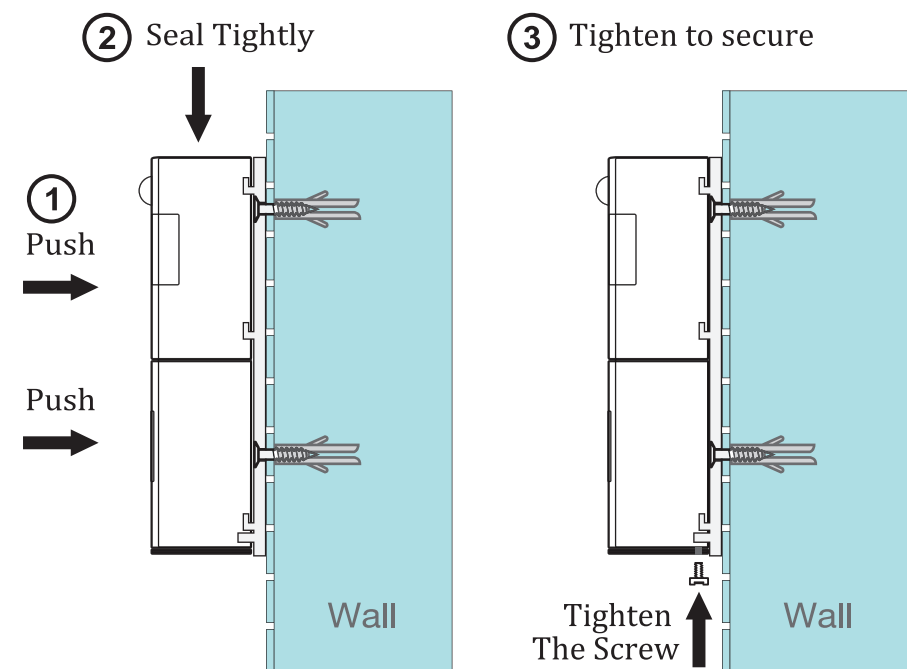
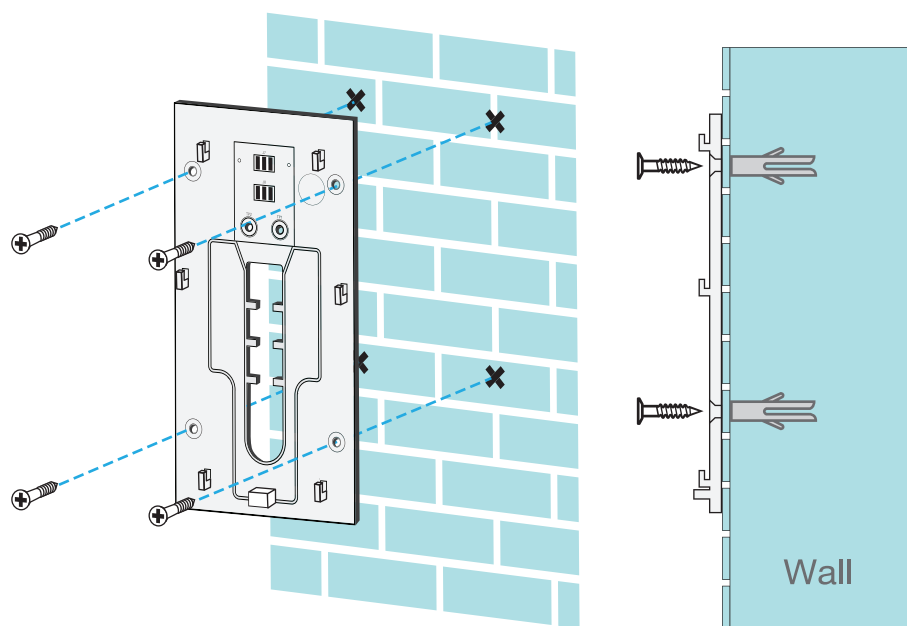
- 9. AC8V~24V Power Interface
- 10. Reset Button
- 11. Micro USB Port (Battery Charging)
- 12. Battery Compartment Cover

4  
• Product Drawing - Mounting Bracket

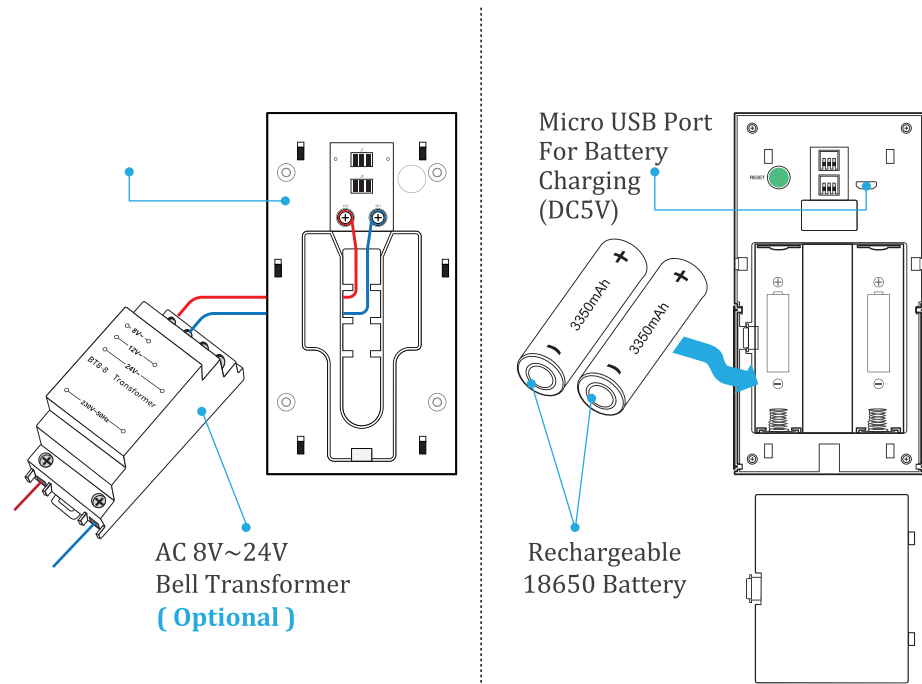


- 13. Power Contact Base
- 14. Screw Holes × 4
- 15. Wire Terminals
- 16. Mounting Hooks × 6

• Installation -Bracket Install



• Power Supply Solution

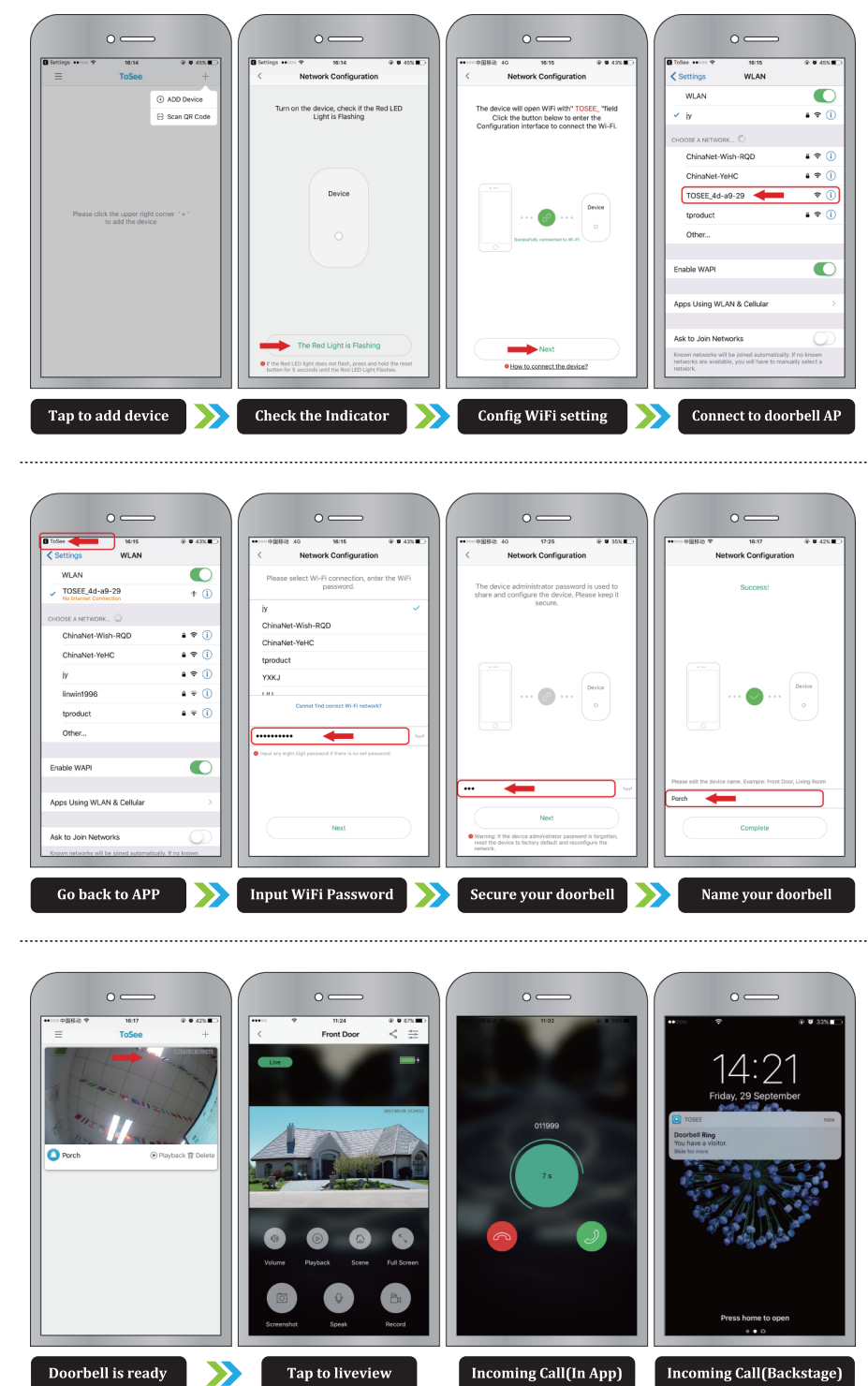


• App Download - ToSee




ToSee is available for both iOS and Android OS. Search the name "ToSee" in App store or Android Market, or scan upper QR-code to download the APP.

• Device Configuration

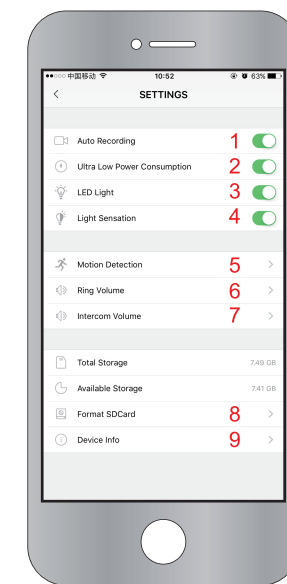


• Live View Interface



1. Control the scene volume
2. Playback recorded videos
3. Image effect configuration
4. Full screen view
5. Screenshot button
6. Talk to visitor
7. Tap to record on smart phone
8. Share the device to other users
9. Setting menu
10. Back to device list
11. Battery charging icon (Low battery alert : )

• Setting Menu



1. Enable/disable auto recording
2. Enable/disable power saving
3. LED light on/off switch
4. Enable/disable light sensor
5. Motion detection sensitivity config
6. Ring volume config
7. Intercom volume config
8. Format Micro SD card button
9. Device info